

EN 18 V 23 cm Grass trimmer

EN ORIGINAL INSTRUCTIONS

IMPORTANT - These instructions are for your safety. Please read through them thoroughly prior to handling the product and retain them for future reference.

Bare tool: Includes only the tool, without the battery pack and charger.

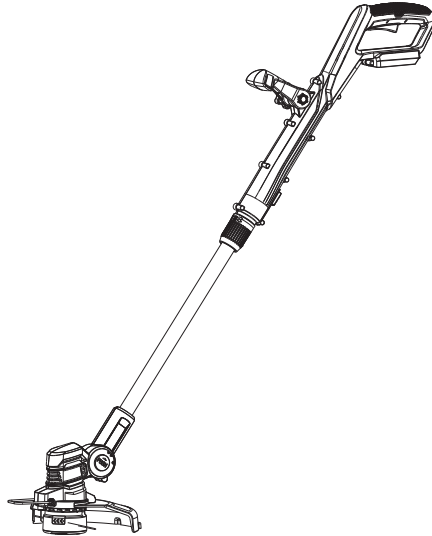
Kit: Includes the tool along with the battery pack and charger.



PPI1197GGT
5063022638229
5063022637659
5063022638106

V10825_5063022638229_MAND4_2425_RP0506A

EN Parts



01. x1

EN You will need

x1



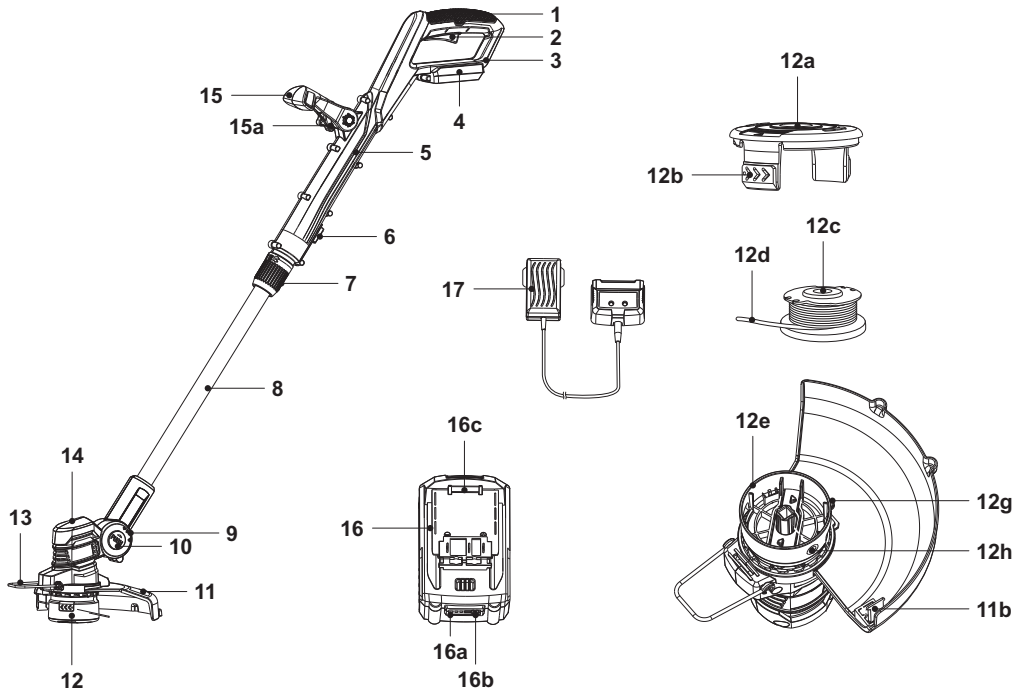
(items not supplied)

- Suitable personal protective equipment
- Suitable crosshead screwdriver

EN Contents

EN	
Product description	3
Safety	4
Preparation	16
Functions & Settings	18
Use	21
Care & maintenance	25
Guarantee	31
Declaration of conformity	32

EN Product description



- | | | |
|--|---|--|
| <ul style="list-style-type: none"> 1. Main handle 2. On/off switch 3. Rear safeguard 4. Battery docking port 5. Upper pole 6. Unlock button for angle adjustment 7. Locking sleeve for length adjustment 8. Lower pole 9. Pole support 10. Unlock button for tilt adjustment <ul style="list-style-type: none"> a. Indicator triangle* | <ul style="list-style-type: none"> 11. Guard <ul style="list-style-type: none"> a. Screw* b. Knife c. Screw hole* d. Knife protector* 12. Trimmer head <ul style="list-style-type: none"> a. Cover b. Release latch (x2) c. Trimming spool d. Trimming line e. Housing f. Sliding slot (x2)* g. Release push button h. Eyelet i. Screw hole* | <ul style="list-style-type: none"> 13. Plant protector 14. Air vents 15. Auxiliary handle <ul style="list-style-type: none"> a. Lock button 16. Battery pack (Bare tool not supplied) <ul style="list-style-type: none"> a. Battery capacity indicators b. Battery capacity button c. Release button 17. Charger (Bare tool not supplied) |
|--|---|--|



NOTE: Parts marked with * are not shown in this overview. Please refer to the respective part in the instruction manual.



General safety warnings

Never allow children, persons with reduced physical, sensory or mental capabilities or lack of experience and knowledge or people unfamiliar with these instructions to use the machine, local regulations may restrict the age of the operator.

Children shall not play with the appliance. Cleaning and user maintenance shall not be made by children.

General power tool safety warnings



WARNING! READ ALL SAFETY WARNINGS, INSTRUCTIONS, ILLUSTRATIONS AND SPECIFICATIONS PROVIDED WITH THIS POWER TOOL. FAILURE TO FOLLOW ALL INSTRUCTIONS LISTED BELOW MAY RESULT IN ELECTRIC SHOCK, FIRE AND/OR SERIOUS INJURY.

SAVE ALL WARNINGS AND INSTRUCTIONS FOR FUTURE REFERENCE.

THE TERM “POWER TOOL” IN THE WARNINGS REFERS TO YOUR MAINS-OPERATED (CORDED) POWER TOOL OR BATTERY-OPERATED (CORDLESS) POWER TOOL.

Work area safety

- **Keep work area clean and well lit.** Cluttered or dark areas invite accidents.
- **Do not operate power tools in explosive atmospheres, such as in the presence of flammable liquids, gases or dust.** Power tools create sparks which may ignite the dust or fumes.
- **Keep children and bystanders away while operating a power tool.** Distractions can cause you to lose control.

Electrical safety

- **Power tool plugs must match the outlet. Never modify the plug in any way. Do not use any adapter plugs with earthed (grounded) power tools.** Unmodified plugs and matching outlets will reduce risk of electric shock.
- **Avoid body contact with earthed or grounded surfaces, such as pipes, radiators, ranges and refrigerators.** There is an increased risk of electric shock if your body is earthed or grounded.
- **Do not expose power tools to rain or wet conditions.** Water entering a power tool will increase the risk of electric shock.
- **Do not abuse the cord. Never use the cord for carrying, pulling or unplugging the power tool. Keep cord away from heat, oil, sharp edges or moving parts.** Damaged or entangled cords increase the risk of electric shock.
- **When operating a power tool outdoors, use an extension cord suitable for outdoor use.** Use of a cord suitable for outdoor use reduces the risk of electric shock.
- **If operating a power tool in a damp location is unavoidable, use a residual current device (RCD) protected supply.** Use of an RCD reduces the risk of electric shock.

Personal safety

- **Stay alert, watch what you are doing and use common sense when operating a power tool. Do not use a power tool while you are tired or under the influence of drugs, alcohol or medication.** A moment of inattention while operating power tools may result in serious personal injury.
- **Use personal protective equipment. Always wear eye protection.** Protective equipment such as a dust mask, non-skid safety shoes, hard hat or hearing protection used for appropriate conditions will reduce personal injuries.
- **Prevent unintentional starting. Ensure the switch is in the off-position before connecting to power source and/or battery pack, picking up or carrying the tool.** Carrying power tools with your finger on the switch or energising power tools that have the switch on invites accidents.

- **Remove any adjusting key or wrench before turning the power tool on.** A wrench or a key left attached to a rotating part of the power tool may result in personal injury.
- **Do not overreach. Keep proper footing and balance at all times.** This enables better control of the power tool in unexpected situations.
- **Dress properly. Do not wear loose clothing or jewellery. Keep your hair and clothing away from moving parts.** Loose clothes, jewellery or long hair can be caught in moving parts.
- **If devices are provided for the connection of dust extraction and collection facilities, ensure these are connected and properly used.** Use of dust collection can reduce dust-related hazards.
- **Do not let familiarity gained from frequent use of tools allow you to become complacent and ignore tool safety principles.** A careless action can cause severe injury within a fraction of a second.

Power tool use and care

- **Do not force the power tool. Use the correct power tool for your application.** The correct power tool will do the job better and safer at the rate for which it was designed.
- **Do not use the power tool if the switch does not turn it on and off.** Any power tool that cannot be controlled with the switch is dangerous and must be repaired.
- **Disconnect the plug from the power source and/or remove the battery pack, if detachable, from the power tool before making any adjustments, changing accessories, or storing power tools.** Such preventive safety measures reduce the risk of starting the power tool accidentally.
- **Store idle power tools out of the reach of children and do not allow persons unfamiliar with the power tool or these instructions to operate the power tool.** Power tools are dangerous in the hands of untrained users.

- **Maintain power tools and accessories. Check for misalignment or binding of moving parts, breakage of parts and any other condition that may affect the power tool's operation. If damaged, have the power tool repaired before use.** Many accidents are caused by poorly maintained power tools.
- **Keep cutting tools sharp and clean.** Properly maintained cutting tools with sharp cutting edges are less likely to bind and are easier to control.
- **Use the power tool, accessories and tool bits etc. in accordance with these instructions, taking into account the working conditions and the work to be performed.** Use of the power tool for operations different from those intended could result in a hazardous situation.
- **Keep handles and grasping surfaces dry, clean and free from oil and grease.** Slippery handles and grasping surfaces do not allow for safe handling and control of the tool in unexpected situations.

Battery tool use and care

- **Recharge only with the charger specified by the manufacturer.** A charger that is suitable for one type of battery pack may create a risk of fire when used with another battery pack.
- **Use power tools only with specifically designated battery packs.** Use of any other battery packs may create a risk of injury and fire.
- **When battery pack is not in use, keep it away from other metal objects, like paper clips, coins, keys, nails, screws or other small metal objects, that can make a connection from one terminal to another.** Shorting the battery terminals together may cause burns or a fire.
- **Under abusive conditions, liquid may be ejected from the battery; avoid contact. If contact accidentally occurs, flush with water. If liquid contacts eyes, additionally seek medical help.** Liquid ejected from the battery may cause irritation or burns.

- **Do not use a battery pack or tool that is damaged or modified.** Damaged or modified batteries may exhibit unpredictable behaviour resulting in fire, explosion or risk of injury.
- **Do not expose a battery pack or tool to fire or excessive temperature.** Exposure to fire or temperature above 130 °C may cause explosion.
- **Follow all charging instructions and do not charge the battery pack or tool outside the temperature range specified in the instructions.** Charging improperly or at temperatures outside the specified range may damage the battery and increase the risk of fire.

Service

- **Have your power tools serviced by a qualified repair person using only identical replacement parts.** This will ensure that safety of the power tool is maintained.
- **Never service damaged battery packs.** Service of battery packs should only be performed by the manufacturer or authorized service providers.

Electrically powered grass trimmer safety warnings

**IMPORTANT
READ CAREFULLY BEFORE USE
KEEP FOR FUTURE REFERENCE**

Training

- Read the instructions carefully. Be familiar with the controls and the correct use of the machine.
- Never allow children or people unfamiliar with these instructions to use the machine. Local regulations can restrict the age of the operator.
- *Keep in mind that the operator or user is responsible for accidents or hazards occurring to other people or their property.

Preparation

- Before use, always visually inspect the machine for damaged, missing or misplaced guards or shields.
- Never operate the machine while people, especially children, or pets are nearby.

Operation

- Wear eye protection and stout shoes at all times while operating the machine.
- Avoid using the machine in bad weather conditions especially when there is a risk of lightning.
- Use the machine only in daylight or good artificial light. Never operate the machine with damaged guards or shields or without guards or shields in place.
- Switch on the motor only when the hands and feet are away from the cutting means.
- Always disconnect the machine from the power supply (i.e. remove the disabling device or removable battery):
 - whenever the machine is left unattended;
 - before clearing a blockage;
 - before checking, cleaning or working on the machine;
 - after striking a foreign object to inspect the machine for damage;
 - whenever the machine starts to vibrate abnormally, for immediately check.
- Take care against injury to feet and hands from the cutting means.
- Always ensure that the ventilation openings are kept clear of debris.

Maintenance and storage

- Disconnect the machine from the power supply (i.e. remove the disabling device or removable battery) before carrying out maintenance or cleaning work.
- Use only the manufacturer's recommended replacement parts and accessories.

- Inspect and maintain the machine regularly. Have the machine repaired only by an authorized repairer.
- When not in use, store the machine out of the reach of children.

Additional safety warnings for battery pack

- **Battery pack needs to be charged before use.** Always refer to the charger's instruction and charge it properly.
- **Remove the battery pack from the product when not in use.**
- **Don't maintain the battery pack on the charger when not in use.**
- **After extended periods of storage, it may be necessary to charge and discharge the battery pack several times to obtain the maximum performance.**
- **Longer life and better performance can be obtained if the battery is charged when the air temperature is between 18 °C and 24 °C. Do not charge the battery in air temperature below 5 °C or above 40 °C.** This is important as it can prevent serious damage to the battery.
- **Do not charge battery in a damp or wet location.** Following this rule will reduce the risk of electric shock.
- **Do not disassemble the battery and avoid mechanical damage to the battery. Risk of short circuit and fumes may be emitted.** Ensure fresh air and seek medical assistance in the event of discomfort.
- **When disposing of battery pack, keep the battery pack of different electrochemical systems separate from each other.**

Vibration and noise reduction

To reduce the impact of noise and vibration emission, limit the time of operation, use low-vibration and low-noise operating modes as well as wear personal protective equipment.

Take the following points into account to minimise the vibration and noise exposure risks:

- Only use the product as intended by its design and these instructions.
- Ensure that the product is in good condition and well maintained.

- Use correct attachments for the product and ensure they are in good condition.
- Keep tight grip on the handles/grip surface.
- Maintain this product in accordance with these instructions and keep it well lubricated (where appropriate).
- Plan your work schedule to spread any high vibration tool use across a longer period of time.
- Prolonged use of the product exposes the user to vibrations that can cause a range of conditions collectively known as hand-arm vibration syndrome (HAVS) e.g. fingers going white; as well as specific diseases such as carpal tunnel syndrome. To reduce this risk when using the product, always wear protective gloves and keep your hands warm.

Emergency

Familiarise yourself with the use of this product by means of this instruction manual. Memorise the safety directions and follow them to the letter. This will help to prevent risks and hazards.

- **Always be alert when using this product, so that you can recognise and handle risks early.** Fast intervention can prevent serious injury and damage to property.
- **Switch the product off and remove the battery pack if there are malfunctions.** Have the product checked by a qualified professional and repaired, if necessary, before you operate it again.

Residual risks

Even if you are operating this product in accordance with all the safety requirements, potential risks of injury and damage remain. The following dangers can arise in connection with the structure and design of this product:

- Health defects resulting from vibration emission if the product is being used over long periods of time or not adequately managed and properly maintained.

- Injuries and damage to property due to broken attachments or the sudden impact of hidden objects during use.
- Danger of injury and property damage caused by flying objects.



WARNING! THIS PRODUCT PRODUCES AN ELECTROMAGNETIC FIELD DURING OPERATION! THIS FIELD MAY UNDER SOME CIRCUMSTANCES INTERFERE WITH ACTIVE OR PASSIVE MEDICAL IMPLANTS! TO REDUCE THE RISK OF SERIOUS OR FATAL INJURY, WE RECOMMEND PERSONS WITH MEDICAL IMPLANTS TO CONSULT THEIR DOCTOR AND THE MEDICAL IMPLANT MANUFACTURER BEFORE OPERATING THIS PRODUCT!

Symbols

On the product, the rating label and within these instructions you will find among others the following symbols and abbreviations. Familiarise yourself with them to reduce hazards like personal injuries and damage to property.

V	Volt, (direct current voltage)	mAh	Milliampere per hour
/min or min ⁻¹	Per minute	°C	Degree Celsius
g	Gram	kg	Kilogram
mm	Millimetre	m	Metre
cm	Centimeter	m/s ²	Metres per second squared
dB(A)	Decibel (A-rated)		



Lock / to tighten or secure



Unlock / to loosen.



Read the instruction manual.



Note / Remark.



Caution / Warning

xxWyy

Manufacturing date code; year of manufacturing (20xx) and week of manufacturing (Wyy).



Wear hearing protection.



Wear eye protection.



Wear a dust mask.



Wear protective gloves.



Wear protective, slip-resistant footwear.



Wear tight-fitted protective clothes.



Switch the product off and remove battery pack before assembly, cleaning, adjustments, maintenance, storage and transportation.



This product is of protection class III.



Do not expose the product to rain or wet conditions (moisture).



Keep hands away from the trimmer line.



Objects thrown by the product could hit the user or other bystanders. Always ensure that other people and pets remain at a safe distance from the product when it is in operation. In general, children must not come near the area where the product is.

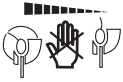


Inspect the area where the product is to be used and remove all objects which can be thrown by the product. If objects are hidden while operating stop the motor and remove the object.



Keep other people out of working area during operation. A distance of at least 15 m must be observed.





Contact of the guide bar tip with any object should be avoided.



Guaranteed sound power level value in 96 dB.



WEEE symbol. Waste electrical products should not be disposed of with household waste. Please recycle where facilities exist. Check with your Local Authority or local store for recycling advice.



Crossed out dust bin. Batteries and battery packs should not be disposed of with household waste. Please recycle where facilities exist. Check with your Local Authority or local store for recycling advice.



Do not dispose of battery packs in rivers or immerse in water.



Do not dispose of battery packs in fire. They will explode and cause injury.



Do not expose battery packs to heat in excess of 40 °C.

Do not charge or store the battery pack in temperatures below 5 °C (41 °F) and above 40 °C (104 °F).



The product complies with the applicable European directives and an evaluation method of conformity for these directives was done.



Li-Ion

This Lithium-ion battery is recyclable. Please follow enforced recycling regulations.

Technical specifications

General


- > **Rated voltage** : 18 V
- > **Rated no-load speed n_0** : 8000 min⁻¹
- > **Cutting width** : 23 cm
- > **Trimming line** : Non-metallic, Ø 1.6 mm, length 4 m
- > **Protection class** : III
- > **Weight** : approx. 1.7 kg
- > **Dimensions** : approx. 1100 x 240 x 320 mm

Battery pack

- > **Type of the battery** : Li-ion
- > **Ambient temperature range for tool and battery use** : 5 °C - 40 °C
- > **Model no.** : PP11215BAT
- > **Capacity** : 2000 mAh

- > **Voltage** : 18 V 
- > **Weight** : approx. 0.39 kg

Charger for battery pack

- > **Model no.** : PPB1217CHR
- > **Rated output** : 22.5 V  1.0 A

Sound values

- > **Sound pressure level at operator's position L_{pA}** : 79 dB(A)
- > **Uncertainty K_{pA}** : 3 dB(A)
- > **Measured sound power level L_{WA}** : 85.1 dB(A)
- > **Uncertainty K_{WA}** : 3.3 dB(A)
- > **Guaranteed sound power level L_{WA}** : 96 dB(A)

Hand arm vibration values

- > **Main handle $a_{h,w}$** : $\leq 2.5 \text{ m/s}^2$
- > **Auxiliary handle $a_{h,w}$** : $\leq 2.5 \text{ m/s}^2$
- > **Uncertainty K** : 1.5 m/s^2

The sound values have been determined according to noise test code given in EN 50636-2-91, using the basic standards EN ISO 11201 and EN ISO 3744.

The sound intensity level for the operator may exceed 80 dB(A) and ear protection measures are necessary.

The declared vibration total value(s) and the declared noise emission value(s) have been measured in accordance with a standard test method (according to EN 50636-2-91) and may be used for comparing one tool with another. The declared vibration total value(s) and the declared noise emission value(s) may also be used in a preliminary assessment of exposure.



WARNING: THE VIBRATION AND NOISE EMISSIONS DURING ACTUAL USE OF THE POWER TOOL CAN DIFFER FROM THE DECLARED VALUES DEPENDING ON THE WAYS IN WHICH THE TOOL IS USED ESPECIALLY WHAT KIND OF WORKPIECE IS PROCESSED; AND NEED TO IDENTIFY SAFETY MEASURES TO PROTECT THE OPERATOR THAT ARE BASED ON AN ESTIMATION OF EXPOSURE IN THE ACTUAL CONDITIONS OF USE (TAKING ACCOUNT OF ALL PARTS OF THE OPERATING CYCLE SUCH AS THE TIMES WHEN THE TOOL IS SWITCHED OFF AND WHEN IT IS RUNNING IDLE IN ADDITION TO THE TRIGGER TIME).

Rating label explanation

Grass Trimmer: PPI1197GGT

PP = PERFORMANCE POWER

I = 18VDC Li Ion

1197 = Serial number

GGT = Garden Grass Trimmer

Battery pack: PPI1215BAT

PP = PERFORMANCE POWER

I = 18VDC Li Ion

1215 = Serial number

BAT = Battery

Charger: PPB1217CHR

PP = PERFORMANCE POWER

B = 240V AC

1217 = Serial number

CHR = Charger

EN Preparation

Unpacking

1. Unpack all parts and lay them on a flat, stable surface.
2. Remove all packing materials and shipping devices if applicable.
3. Make sure the delivery contents are complete and free of any damage. If you find that parts are missing or show damage do not use the product but contact your dealer. Using an incomplete or damaged product represents a hazard to people and property.
4. Ensure that you have all the accessories and tools needed for assembly and operation. This also includes suitable personal protective equipment.



WARNING! THE PRODUCT AND THE PACKAGING ARE NOT CHILDREN'S TOYS! CHILDREN MUST NOT PLAY WITH PLASTIC BAGS, SHEETS AND SMALL PARTS! THERE IS A DANGER OF CHOKING AND SUFFOCATION!

You will need

(items not supplied)

Suitable personal protective equipment
Suitable crosshead screwdriver

(items supplied)

Guard (11)
Screw (11a)
Battery pack (16) (Bare tool not supplied)
Charger (17) and its manual (Bare tool not supplied)



NOTE: The accessories required depend on the intended application. Ask your dealer for advice.

Setup



WARNING! THE PRODUCT MUST BE FULLY ASSEMBLED BEFORE OPERATION!



DO NOT USE A PRODUCT THAT IS ONLY PARTLY ASSEMBLED OR ASSEMBLED WITH DAMAGED PARTS!

FOLLOW THE ASSEMBLY INSTRUCTIONS STEP-BY-STEP AND USE THE PICTURES PROVIDED AS A VISUAL GUIDE TO EASILY ASSEMBLE THE PRODUCT!

DO NOT CONNECT THE BATTERY PACK (16) TO THE PRODUCT BEFORE IT IS COMPLETELY ASSEMBLED!



NOTE: Take care of small parts that are removed during assembly or when making adjustments. Keep them secure to avoid loss.

Guard

1. Turn the trimmer head (12) upside down.
2. Align two tips of the guard (11) with the sliding slots (12f) of the trimmer head (12) (Fig. 1, step 1). Fully insert the guard (11) and make sure that the screw holes (11c, 12i) are well aligned.
3. Secure the guard (11) with the screw (11a) in clockwise (Fig. 1, step 2).

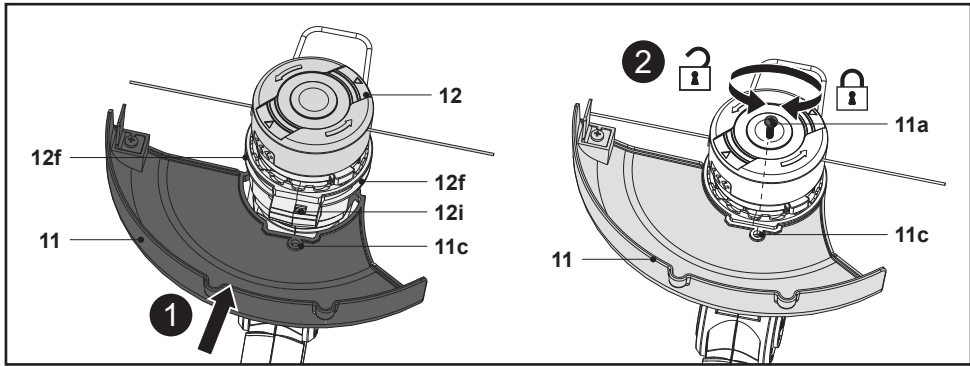


Fig. 1



WARNING! NEVER USE THE TRIMMER HEAD (12) WITHOUT THE GUARD (11) PROPERLY FITTED.



NOTE: Always remove knife protection (11d) before use.

Battery pack

Attaching / releasing the battery pack

1. Align the battery pack (16) with the sliding slots of the battery docking port (4) under the rear safeguard (3) and slide the battery pack (16) in to attach it. Ensure it clicks in place (Fig. 2).
2. Press the release button (16c) and remove the battery pack (16) from the battery docking port (4) (Fig. 3).

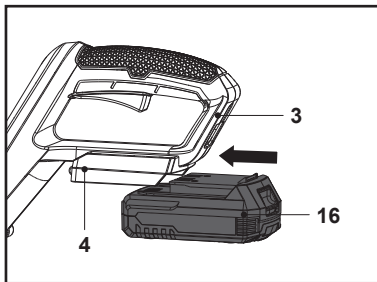


Fig. 2

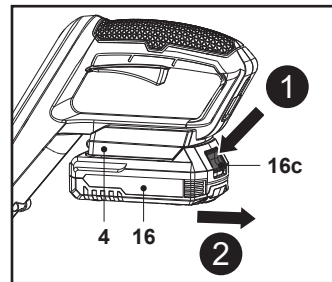


Fig. 3

Charging the battery pack

The battery pack (16) for this product has been shipped in a low charge condition. Charge it fully before first use.

Refer to the charger instruction manual (PPB1217CHR) for the details.

Battery capacity indicators

The battery pack (16) is equipped with the battery capacity indicators (16a) which are used to give an indication of the battery pack's remaining capacity. Press the battery capacity button (16b) to check battery capacity (Fig. 4). The LEDs will stay lit for approximately 2 seconds.

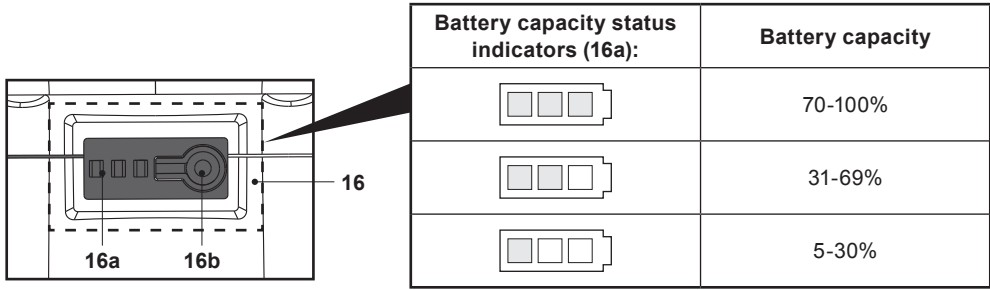


Fig. 4

EN Functions & Settings

Intended use

This cordless grass trimmer PPI1197GGT is designated with a rated voltage of 18 V . It is designed only to be used with the battery pack which is listed in the chapter of “Technical specifications”.

The product is intended for cutting weed, grass or similar soft vegetation in areas that are hard to reach, e. g. under bushes, on slopes and edges. It may not be used to work on unusual thick, dry or wet grass, e. g. pasture grass, or to shred leaves.

For safety reasons it is essential to read the entire instruction manual before first operation and to observe all the instructions therein.

This product is intended for private domestic use only, not for any commercial trade use. It must not be used for any purposes other than those described.

Auxiliary handle adjustment

Adjust the angle of the auxiliary handle (15) to fit the intended application.

1. Loosen the lock button (15a) in clockwise (Fig. 5, step 1), then rotate the auxiliary handle (15) forward or backward to adjust the angle (Fig. 5, step 2).
2. Tighten the lock button (15a) in anticlockwise to secure the auxiliary handle (15) in position (Fig. 5, step 3).

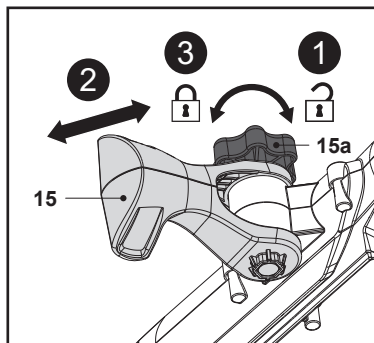


Fig. 5

Length adjustment

Adjust the pole length to fit the body height.

1. Loosen the locking sleeve (7) in clockwise (Fig. 6, step 1).
2. Pull the lower pole (8) out or push it together to adjust the desired length (Fig. 6, step 2).
3. Tighten the locking sleeve (7) in anticlockwise (Fig. 6, step 3).

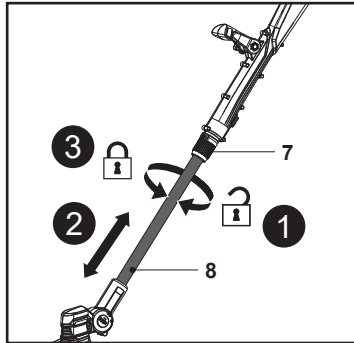


Fig. 6

Main handle angle adjustment

Adjust the main handle (1) to either 0° for trimming or 180° for edging.

1. Press down the unlock button (6) and turn the main handle (1) clockwise while holding lower pole (8) to adjust the trimmer head (12) to an angle of 180° (Fig. 7). Release the unlock button (6) and keep turning the main handle (1) until it locks in place. Ensure the unlock button (6) snaps into place.
2. Press down the unlock button (6) and turn the main handle (1) anticlockwise while holding lower pole (8) to adjust the trimmer head (12) to an angle of 0° (Fig. 8). Release the unlock button (6) and keep turning the main handle (1) until it locks in place. Ensure the unlock button (6) snaps into place.

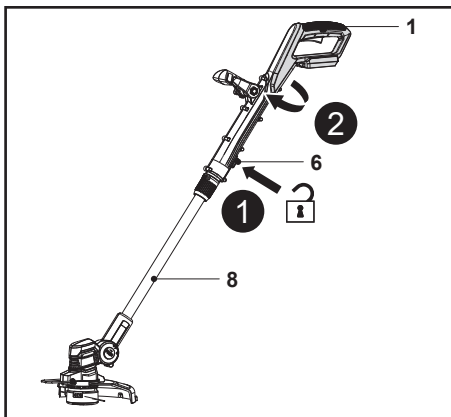


Fig. 7 (initial position 0°)

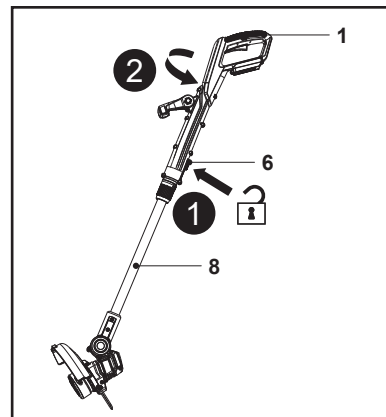


Fig. 8 (initial position 180°)



WARNING! ALWAYS ENSURE THAT THE UNLOCK BUTTON (6) SNAPS INTO PLACE AFTER ADJUSTING THE MAIN HANDLE IN ONE OF THE END POSITIONS! NEVER ADJUST TO AN INTERMEDIATE POSITION!

Trimmer head tilt adjustment

Tilt the angle of trimmer head (12) to fit the ground conditions for trimming or edging use by aligning the indicator triangle (10a) on unlock button (10) with one of three indicators of the pole support (9) (Fig. 9).

1. Push the unlock button (10) and hold it in position (Fig. 10, step 1).
2. Move the lower pole (8) slightly up or downward (Fig. 10, step 2).
3. Release the unlock button (10) and keep moving the lower pole (8) until it locks in place.

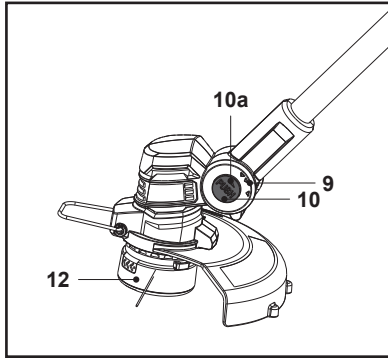


Fig. 9

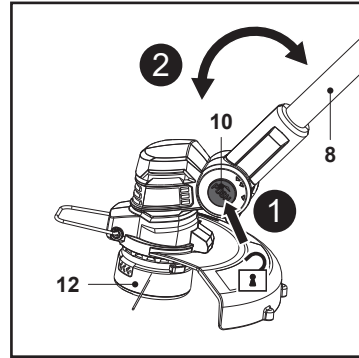


Fig. 10



WARNING! ALWAYS ENSURE THAT THE UNLOCK BUTTON (10) SNAPS INTO PLACE AFTER ADJUSTING THE TRIMMER HEAD (12) IN ONE OF THE REQUIRED POSITIONS! NEVER ADJUST TO AN INTERMEDIATE POSITION!

Plant protector

Use the plant protector (13) to keep distance to obstacles that could be hit by the cutting device.



WARNING! ADJUST THE PLANT PROTECTOR POSITION ONLY WHEN THE PRODUCT IS SWITCHED OFF AND THE CUTTING DEVICE IS AT A COMPLETE STOP!

1. Rotate the plant protector (13) forward until it locks in place for trimming / edging operation (Fig. 11).
2. Rotate the plant protector (13) back for transport and storage (Fig. 12).

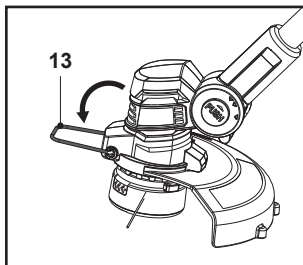


Fig. 11, trimming / edging position

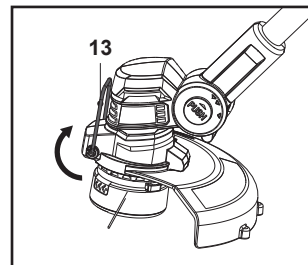


Fig. 12, storage position

Guard

The guard (11) protects the operator against thrown objects during operation. It is equipped with a knife (11b) that cuts the trimming line (12d) (Fig. 13).

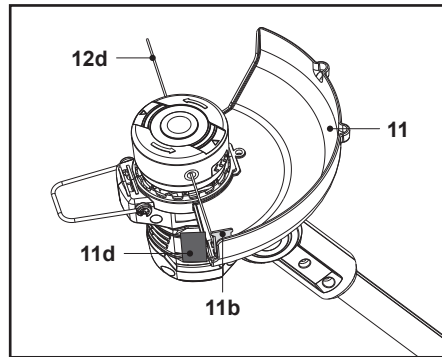


Fig. 13



NOTE: Always remove the knife protector (11d) before use.

Switching on/off

1. Hold the product with one hand at the auxiliary handle (15) and with the other at the main handle (1).
2. Squeeze the on/off switch (2) to switch the product on (Fig. 14).
3. Release the on/off switch (2) to switch the product off.

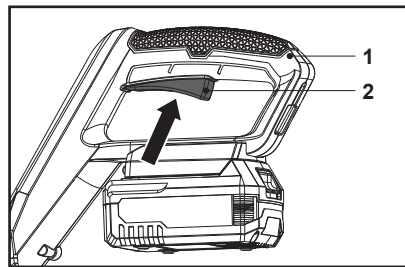


Fig. 14

EN Use

General operation

1. Check the product, its battery pack and charger as well as accessories for damage before each use. Do not use the product if it is damaged or shows wear.
2. Double check that accessories or attachments are properly fixed.
3. Always hold the product by its handles. Keep the handles dry to ensure safe support.
4. Ensure that the air vents are always unobstructed and clear. Clean them if necessary with a soft brush. Blocked air vents may lead to overheating and damage the product.

5. Switch the product off immediately if you are disturbed while working by other people entering the working area. Always let the product come to complete stop before putting it down.
6. Do not overwork yourself. Take regular breaks to ensure you can concentrate on the work and have full control over the product.
7. Never to replace the non-metallic cutting means with metallic cutting means.
8. Do not overreach and to keep the balance at all times, to always be sure of the footing on slopes and to walk, never run.
9. Do not touch moving hazardous parts before the machine is disconnected from the battery pack and the moving hazardous parts have come to a complete stop.
10. Always wear substantial footwear and long trousers while operating the machine.
11. Perform maintenance checks before and after each use. Be aware of the dangers posed by moving hazardous parts during the maintenance checks.

Trimming

1. Make sure that the knife protector (11d) is removed, the plant protector (13) is ready for use and the battery pack (16) is assembled before operation.
2. Adjust the main handle (1) angle to 0° for trimming.
3. Hold the product firmly with a gap between the product and your right side.
4. Stand upright, do not lean forward and pay attention to posture. Keep both feet apart to help retain your balance.
5. Hold the trimmer head (12) just above the ground at an angle of approximately 30° (Fig. 15).
6. Move the product with a slow regular arc from left to right before moving it back to the starting position before trimming the next area (Fig. 16).

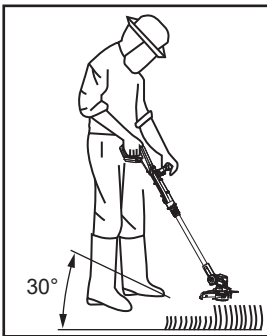


Fig. 15

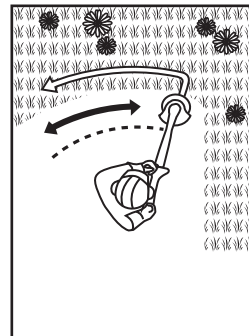


Fig. 16

7. Ensure the cutting device remains clean and free from off-cuts that may cause it to jam. Check regularly. Release the on/off switch (2) and remove the battery pack (16) before checking.
8. Trim longer grass in stages; do not cut long grass in one cut (Fig. 17). For the best results, cut longer grass in steps (Fig. 18).

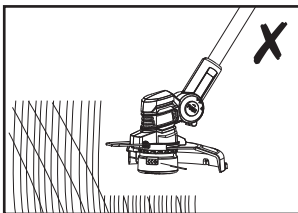


Fig. 17

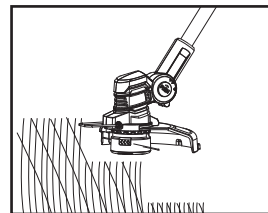


Fig. 18

Edging

1. Make sure that the knife protector (11d) is removed, the plant protector (13) is ready for use and the battery pack (16) is assembled before operation.
2. Adjust the main handle (1) angle to 180° for edging (Fig. 19).

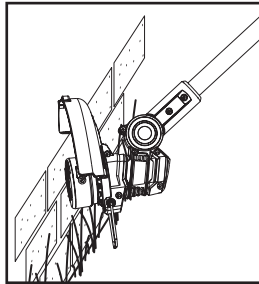


Fig. 19

Tips

1. For best results, do not cut wet grass because it tends to stick to the cutting head and guard, prevents proper discharge of grass trimmings, and could cause you to slip and fall.
2. Do not allow the spool cover to drag on the ground or other surfaces.
3. Pay special attention when performing the work close to trees and bushes. The cutting head could damage sensitive bark, and damage fence posts.
4. Rotate the plant protector to trimming / edging position to avoid bringing the cutting device into contact with hard objects such as walls and kerbstones (Figs. 20, 21).

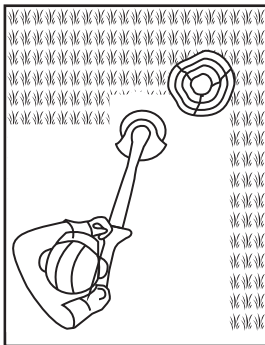


Fig. 20

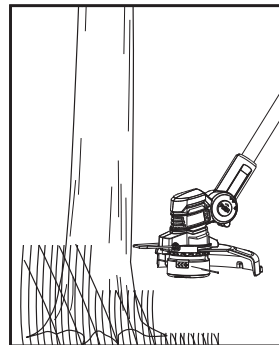


Fig. 21



NOTE: The trimming line will wear faster and require more replacement if cutting is done along sidewalks or other abrasive surfaces or heavier weeds are being cut.



NOTE: While trimming, the cutting device is possible to be blocked by grass or unevenly ground. So the product will turn off automatically due to over current. Therefore release the on/off switch for over 3s and then press down again to go on with trimming.

Line feeding

During use, the tip of the trimming line will get shorter due to wear and the trimming line may break. Regularly check the condition of the trimming line (12d) and adjust if necessary.



WARNING! ALWAYS SWITCH THE PRODUCT OFF, REMOVE THE BATTERY PACK AND LET THE PRODUCT COOL DOWN BEFORE PERFORMING INSPECTION, MAINTENANCE AND CLEANING WORK!



NOTE: This product is equipped with an auto-feed head. Do not bump the trimmer head on the ground as this would damage the product.

Manual feeding

1. Turn trimmer head (12) upside down.
2. Press the release push button (12g) while pulling on the trimming line (12d). The trimming spool (12c) will release the trimming line (Fig. 22).
3. Repeat until the worn part of the trimming line (12d) exceeds the distance to the knife (11b).
4. Attach the battery pack and use the product as described. Excess line will be cut by the knife (11b) and should always remain inside the radius of the guard (11).

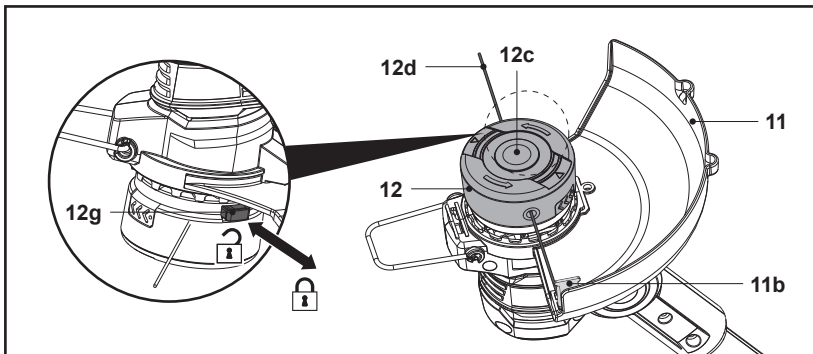


Fig. 22



WARNING! THE TRIMMING LINE WILL BE THROWN OUT! DANGER OF INJURY ESPECIALLY FOR BYSTANDERS!



Auto-feeding

With the product running, release on/off switch (2) to let it stop completely.

Press the on/off switch (2) to start the product.



NOTE: The trimming line will extend about 3-5 mm with each stop and start until the line reach the length of the knife. Avoid stop and start frequently as the trimming line may auto-feed unintentionally and causes waste a lot of line.

After use

1. Switch the product off, remove the battery back and let it cool down.
2. Attach the knife protector (11d) if necessary.
3. Check, clean and store the product as described below.

EN Care & maintenance

The golden rules for care



WARNING! ALWAYS SWITCH THE PRODUCT OFF, REMOVE THE BATTERY PACK AND LET THE PRODUCT COOL DOWN BEFORE PERFORMING INSPECTION, MAINTENANCE AND CLEANING WORK!



1. Keep the product clean. Remove debris from it after each use and before storage.
2. Regular and proper cleaning will help ensure safe use and prolong the life of the product.
3. Inspect the product before each use for worn and damaged parts. Do not operate it if you find broken and worn parts.



WARNING! ONLY PERFORM REPAIRS AND MAINTENANCE WORK ACCORDING TO THESE INSTRUCTIONS! ALL FURTHER WORKS MUST BE PERFORMED BY A QUALIFIED SPECIALIST!

General Cleaning

1. Clean the product with a damp cloth and pH-neutral soap. Use a brush for areas that are hard to reach.
2. Remove stubborn dust with high pressure air (max. 3 bar).



NOTE: Do not use chemical, alkaline, abrasive or other aggressive detergents or disinfectants to clean this product as they might be harmful to its surfaces.

3. Check for worn or damaged parts. Replace worn parts as necessary or contact an authorised service centre for repair before using the product again.

Guard

1. Keep the guard (11) clean and free of debris. Remove trimmings.
2. Replace the guard (11) with one of the same type when it is worn or shows damage.

Trimming line

Replace the trimming spool

Replace the line spool when it is empty or worn.

1. Turn the product upside down to access the trimming line.
2. Hold the trimmer head (12) steady with one hand. Press the release latches (12b) on both sides, then lift the cover (12a) and remove it (Fig. 23).
3. Remove the trimming spool (12c) from the housing (12e) (Fig. 24).

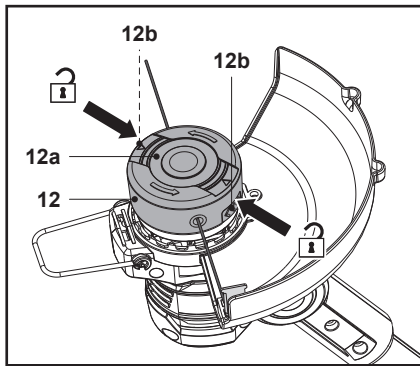


Fig. 23

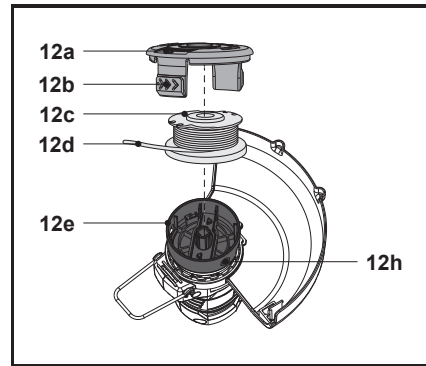


Fig. 24

4. Clean the housing (12e) before inserting a new spool (12c) of the same type.
5. Pull the line from the new spool for a length of approx. 12 cm.
6. Release the trimming line (12d) from the notches and hold it in position. Avoid the trimming line (12d) scattered from the trimming spool (12c) (Fig. 25, Step 1).
7. Lead the trimming line (12d) ending through the eyelet (12h) of the housing (12e) (Fig. 25, Step 2).
8. Insert the trimming spool (12c) into the housing (12e) (Fig. 25, Step 3). Twist the trimming spool (12c) until it locks into place.

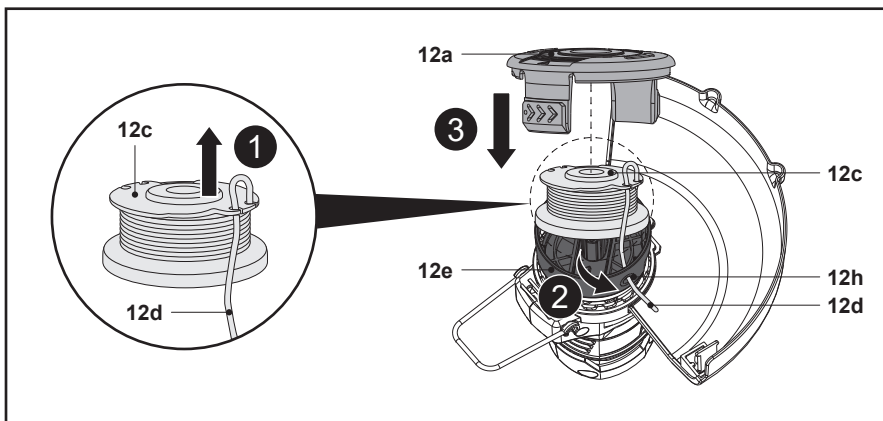


Fig. 25

9. Refit the cover (12a) and make sure it snaps into place.

Refill the trimming line in trimming spool

1. Turn the product upside down to access the trimming line.
2. Hold the trimmer head (12) steady with one hand. Press the release latches (12b) on both sides to remove the cover (12a).
3. Remove the trimming spool (12c) from the housing (12e).
4. Discard all the remaining line (12d) from the trimming spool (12c).
5. Clean the housing (12e) and the trimming spool (12c).
6. Cut a new 4 m long trimming line with a diameter of 1.6 mm.
7. Lead one end of the new trimming line (12d) through the small eyelet on the trimming spool (12c) in direction of the arrows (Fig. 26).
8. Pull the trimming line (12d) and bend it over (Fig. 27).

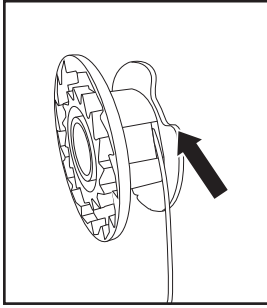


Fig. 26

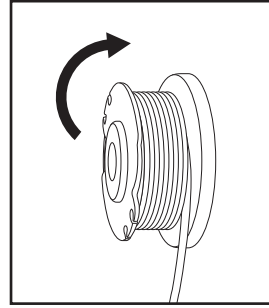


Fig. 27

9. Wind all the trimming line (12d) firmly around the spool in direction of the arrows on the trimming spool (12c) (Fig. 28).

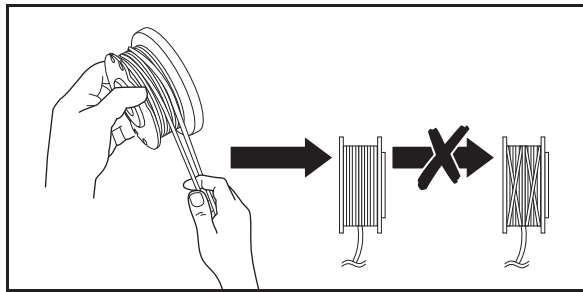


Fig. 28

Spare parts / Replacement parts

The following parts of this product may be replaced by the consumer. Spare parts are available at an authorised dealer or through our customer service.

Spare part: Spool

Model no.: 5063022683120

Repair

This product does not contain any parts that can be repaired by the consumer. Contact an authorised service centre or a similarly qualified person to have it checked and repaired.

Storage

1. Switch the product off and remove the battery pack.
2. Clean the product as described above.
3. Rotate the plant protector (13) to storage position if necessary.
4. Store the product and its accessories in a dark, dry, frost-free, well-ventilated place.
5. Always store the product in a place that is inaccessible to children. The ideal storage temperature is between 10 °C and 30 °C.
6. We recommend using the original package for storage or covering the product with a suitable cloth or enclosure to protect it against dust.

Transportation

1. Switch the product off and remove the battery pack.
2. Attach the knife protector (11d) if necessary.
3. Rotate the plant protector (13) to storage position if necessary.
4. Always carry the product by its handles (1, 15).
5. Protect the product from any heavy impact or strong vibrations which may occur during transportation in vehicles.
6. Secure the product to prevent it from slipping or falling over.

Troubleshooting

Suspected malfunctions are often due to causes that the users can fix themselves. Therefore check the product using this section. In most cases the problem can be solved quickly.



WARNING! ONLY PERFORM THE STEPS DESCRIBED WITHIN THESE INSTRUCTIONS! ALL FURTHER INSPECTION, MAINTENANCE AND REPAIR WORK MUST BE PERFORMED BY AN AUTHORISED SERVICE CENTRE OR A SIMILARLY QUALIFIED SPECIALIST IF YOU CANNOT SOLVE THE PROBLEM YOURSELF!

Problem	Possible cause	Solution
1. Product does not start	1.1. Battery pack not properly attached 1.2. Battery pack is discharged 1.3. Battery pack is damaged 1.4. Other electrical defect to the product	1.1. Attach properly 1.2. Remove and charge battery pack 1.3. Replace with a new one of the same type 1.4. Check by a specialist electrician
2. Product does not reach full power	2.1. Battery pack capacity is too low 2.2. Air vents are blocked	2.1. Charge battery pack fully 2.2. Clean the air vents
3. Unsatisfactory result	3.1. Trimming line is worn / damaged	3.1. Replace with a new one
4. Excessive vibration or noise	4.1. Trimmer head is damaged 4.2. Screw is loose 4.3. Trimming line is worn / damaged	4.1. Replace with a new one 4.2. Tighten screw 4.3. Replace with a new one

Recycling and disposal



This symbol is known as the 'Crossed-out Wheelee Bin Symbol'.

When this symbol is marked on a product or battery, it means that it should not be disposed of with your general household waste.

Some chemicals contained within electrical/electronic products or batteries can be harmful to health and the environment.

Only dispose of electrical/ electronic/battery items in separate collection schemes, which cater for the recovery and recycling of materials contained within.

Your co-operation is vital to ensure the success of these schemes and for the protection of the environment.

For further information visit www.recycle-more.co.uk.

The product comes in a package that protects it against damage during shipping. Keep the package until you are sure that all parts have been delivered and the product is working properly. Recycle the package afterwards.

Disposal of an exhausted battery pack



The battery is Li-Ion type. To preserve natural resources, please recycle or dispose of the battery pack properly. Consult your local waste authority for information regarding available recycling and / or disposal options.

Discharge your battery pack by operating your tool, then remove the battery pack from the tool and cover the battery pack connections with heavy duty adhesive tape to prevent short circuit and energy discharge.

Do not attempt to open or remove any of the components.

Customer care and technical helpline


A better way to repair your tools

Kingfisher takes special care in creating high-quality garden power tools that are designed to last. But if a fault develops with your garden power tool and you need to claim under the guarantee, the Customer Care and Technical Helpline can support with technical assistance or if required, arrange a free courier collection from your home, assess your garden power tool for fault, repair it, and return it.

Deciding to repair your product rather than buying a replacement and adding to the mountain of waste is a more sustainable choice and you will be doing your bit for the environment.

How does it work?



 *** NOTE:** Before collection, all fuel must be removed from petrol powered machines.

Get in touch

If you need help or more information, please contact the Customer Care and Technical Helpline:

UK 0330 678 3077

ROI 1 800 365 800

Opening hours are Monday – Friday, 8 am-5 pm

Availability of spare parts

Contact the customer service helpline for assistance or visit www.kingfisherspares.com

For assistance contact the customer services helpline:

UK 0330 678 3077 uk@kingfisherservice.com

ROI 1 800 365 800 eire@kingfisherservice.com

Further information about this product can also be found at:

www.kingfisher.com/products



Guarantee

We take special care to select high quality materials and use manufacturing techniques that allow us to create products incorporating design and durability. This product has a manufacturer's guarantee of 2 years against manufacturing defects, from the date of purchase (if bought in store) or date of delivery (if bought online), at no additional cost for normal (non-professional or commercial) household use.

To make a claim under this guarantee, you must present your proof of purchase (such as a sales receipt, purchase invoice or other evidence admissible under applicable law), please keep your proof of purchase in a safe place. For this guarantee to apply, the product you purchased must be new, it will not apply to second hand or display products. Unless stated otherwise by applicable law, any replacement product issued under this guarantee will only be guaranteed until expiry of the original period guarantee period.

This guarantee covers product failures and malfunctions provided the product was used for the purpose for which it is intended and subject to installation, cleaning, care and maintenance in accordance with the information contained in these terms and conditions, in the user manual and standard practice, provided that standard practice does not conflict with the user manual.

This guarantee does not cover defects and damage caused by normal wear and tear or damage that could be the result of improper use, faulty installation or assembly, neglect, accident, misuse, or modification of the product. Unless stated otherwise by applicable law, this guarantee will not cover, in any case, ancillary costs (shipping, movement, costs of uninstalling and reinstalling, labour etc), or direct and indirect damage.

This guarantee does not cover defects and damage caused by or resulting from:

- Normal wear and tear
- Overload, misuse or neglect
- Repairs attempted by anyone other than an authorised agent
- Cosmetic damage
- Damage caused by foreign objects, substances or accidents
- Accidental damage or modification
- Failure to follow manufacturer's guidelines
- Loss of use of the goods

If the product is defective, we will, within a reasonable time, repair, replace, refund, service or provide spare parts.

Rights under this guarantee are enforceable in the country in which you purchased this product. Guarantee related queries should be addressed to the store you purchased this product from.

The guarantee is in addition to and does not affect your statutory rights.

**IMPORTANT - RETAIN THIS INFORMATION
FOR FUTURE REFERENCE:
READ CAREFULLY**



(EN) EU DECLARATION OF CONFORMITY
(FR) DÉCLARATION UE DE CONFORMITÉ
(PL) DEKLARACJA ZGODNOŚCI UE
(RO) DECLARAȚIA DE CONFORMITATE UE
(ES) DECLARACIÓN UE DE CONFORMIDAD
(PT) DECLARAÇÃO DE CONFORMIDADE UE

Product/Produit/Produkt/Produsul/Producto/Produto

- Grass trimmer 18 V 23 cm / Coupe-bordures 18 V 23 cm / Podkaszarka 18 V 23 cm / Trimmer de tuns iarba de 18 V 23 cm / Cortabordes 18 V 23 cm / Aparador de relva de 18 V 23 cm
- PPI1197GGT
- Type / batch or serial number range 000001 to 999999

Name and address of the manufacturer or his authorised representative:

Nom et adresse du fabricant ou de son mandataire:

Nazwa i adres producenta lub jego upoważnionego przedstawiciela:

Denumirea și adresa producătorului sau a reprezentantului său autorizat:

Nombre y dirección del fabricante o de su representante autorizado:

Nome e endereço do fabricante ou do respetivo mandatário:

Kingfisher International Products B.V.,
Rapenburgerstraat 175E,
1011 VM Amsterdam,
The Netherlands

This declaration of conformity is issued under the sole responsibility of the manufacturer.

La présente déclaration de conformité est établie sous la seule responsabilité du fabricant.

Niniejsza deklaracja zgodności wydana zostaje na wyłączną odpowiedzialność producenta.

Prezentă declarație de conformitate este emisă pe răspunderea exclusivă a producătorului.

La presente declaración de conformidad se expide bajo la exclusiva responsabilidad del fabricante.

A presente declaração de conformidade é emitida sob a exclusiva responsabilidade do fabricante.

Object of the declaration/Objet de la declaration/Przedmiot deklaracji/Obiectul declarației/Objeto de la declaración/Objeto da declaração

**Product/Produit/Produkt/Produsul/Producto/
Produto**

**Model/Modèle/Model/
Modelul/Modelo/
Modelo**

EAN

Grass trimmer 18 V 23 cm / Coupe-bordures 18 V 23 cm / Podkaszarka 18 V 23 cm / Trimmer de tuns iarba de 18 V 23 cm / Cortabordes 18 V 23 cm / Aparador de relva de 18 V 23 cm

PPI1197GGT

5063022638229 (UK)
5063022637659 (EU)
5063022638106 (Bare)

The object of the declaration described above is in conformity with the relevant Union harmonisation legislation:

L'objet de la déclaration décrit ci-dessus est conforme à la législation d'harmonisation de l'Union applicable:

Wymieniony powyżej przedmiot niniejszej deklaracji jest zgodny z odpowiednimi wymaganiami unijnego prawodawstwa harmonizacyjnego:

Obiectul declarației descris mai sus este în conformitate cu legislația relevantă de armonizare a Uniunii:

El objeto de la declaración descrita anteriormente es conforme con la legislación de armonización pertinente de la Unión:

O objeto da declaração acima descrito está em conformidade com a legislação de harmonização da União aplicável:

2006/42/EC as amended Machinery Directive

2014/30/EU as amended Directive Electromagnetic compatibility

2000/14/EC as amended Outdoor Noise Directive

2011/65/EU as amended Directive on the restriction of the use of certain hazardous substances in electrical and electronic equipment

Directive 2006/42/CE relative aux machines

2014/30 / UE telle que modifiée Directive Compatibilité électromagnétique

Directive 2000/14/CE relative aux émissions sonores extérieures

Directive 2011/65/UE relative à la limitation de l'utilisation de certaines substances dangereuses dans les équipements électriques et électroniques

2006/42/WE w zmienionej dyrektywie maszynowej

2014/30 / UE ze zmianami Dyrektywa Kompatybilność elektromagnetyczna

2000/14/WE w zmienionej dyrektywie w sprawie hałasu na zewnątrz

2011/65/UE zgodnie z wprowadzonymi poprawkami Dyrektywa w sprawie ograniczenia stosowania niektórych niebezpiecznych substancji w sprzęcie elektrycznym i elektronicznym

2006/42/CE, astfel a fost modificată Directiva privind echipamentele

2014/30/UE, astfel a fost modificată Directiva privind compatibilitatea electromagnetică

2000/14/CE, astfel a fost modificată Directiva privind zgomotul în aer liber

2011/65/UE cum a fost modificată Directiva Restricțiile de utilizare a anumitor substanțe periculoase în echipamentele electrice și electronice

Directiva sobre maquinaria modificada 2006/42/CE

2014/30/UE modificada Directiva Compatibilidad electromagnética

2000/14/CE modificada Directiva sobre ruido al aire libre

2011/65/UE según enmendado Directiva sobre restricciones a la utilización de determinadas sustancias peligrosas en aparatos eléctricos y electrónicos

2006/42/CE como diretiva de máquinas alteradas

2014/30/UE como alteração da compatibilidade eletromagnética

2000/14/CE como diretiva de ruído exterior alterada

2011/65/UE conforme alterado Directiva Restrição do uso de determinadas substâncias perigosas em equipamentos eléctricos e electrónicos

Measured Sound Power Level

Le niveau de puissance acoustique mesuré

Zmierzony poziom mocy akustycznej

Nivel de putere acustică măsurat

Nível de potencia sonora medido

Nível de potência sonora medido

: 85.1 dB(A)

Guaranteed Sound Power Level

Le niveau de puissance acoustique garant

Gwarantowany poziom mocy akustycznej

Nivel de putere acustică garantat

Nível de potencia sonora garantizado

Nível de potência sonora garantido

: 96 dB(A)

References to the relevant harmonised standards used or references to the other technical specifications in relation to which conformity is declared:

Références des normes harmonisées pertinentes appliquées, y compris la date de celles-ci, ou des autres spécifications techniques, y compris la date de celles-ci, par rapport auxquelles la conformité est déclarée:

Odwołania do odnośnych norm zharmonizowanych, które zastosowano, wraz z datą normy, lub do innych specyfikacji technicznych, wraz z datą specyfikacji, w odniesieniu do których deklarowana jest zgodność: Trimiteri la standardele armonizate relevante folosite, inclusiv data standardului, sau trimiteri la celelalte specificații tehnice, inclusiv data specificațiilor, în legătură cu care se declară conformitatea:

Referencias a las normas armonizadas pertinentes utilizadas, incluidas las fechas de las normas, o referencias a las otras especificaciones técnicas, incluidas las fechas de las especificaciones, respecto a las cuales se declara la conformidad:

Referências às normas harmonizadas aplicáveis utilizadas, incluindo a data da norma, ou às outras especificações técnicas, incluindo a data da especificação, em relação às quais é declarada a conformidade:

EN IEC 55014-1:2021

EN IEC 55014-2:2021

EN 60335-1:2012/A15:2021

EN 50636-2-91:2014

EN 62233:2008

EN ISO 3744:1995

Where applicable, the notified body TÜV SÜD Industrie Service GmbH, Westendstraße 199, 80686 München, Germany, 0036 performed Outdoor Noise Directive and issued the certificate: OR/028931/016.

Le cas échéant, l'organisme notifié TÜV SÜD Industrie Service GmbH, Westendstraße 199, 80686 München, Germany, 0036 a effectué Directive 2000/14/CE relative aux émissions sonores extérieures et a établi le certificat: OR/028931/016.

W stosownych przypadkach jednostka notyfikowana TÜV SÜD Industrie Service GmbH, Westendstraße 199, 80686 München, Germany, 0036 przeprowadziła 2000/14/WE w zmienionej dyrektywie w sprawie hałasu na zewnątrz i wydała certyfikat: OR/028931/016.

După caz, organismul notificat TÜV SÜD Industrie Service GmbH, Westendstraße 199, 80686 München, Germany, 0036 a efectuat 2000/14/CE, astfel a fost modificată Directiva privind zgomotul în aer liber și a emis certificatul: OR/028931/016.

Si procede, el organismo notificado TÜV SÜD Industrie Service GmbH, Westendstraße 199, 80686 München, Germany, 0036 ha efectuado 2000/14/CE modificada Directiva sobre ruido al aire libre y ha expedido el certificado: OR/028931/016.

Se for esse o caso, o organismo notificado TÜV SÜD Industrie Service GmbH, Westendstraße 199, 80686 München, Germany, 0036 efetuou 2000/14/CE como diretiva de ruído exterior alterada e emitiu o certificado: OR/028931/016.

Authorised signatory and technical file holder / signataire et responsable de la documentation technique autorisé / podmiot uprawniony do wystawienia i adres przechowywania dokumentacji technicznej / semnatar autorizat și deținător al dosarului tehnic / firmante autorizado y titular del expediente tecnico / signatário autorizado e detentor da ficha técnica

Kingfisher International Products B.V.,
Rapenburgerstraat 175E,
1011 VM Amsterdam,
The Netherlands



David Awe
Group Quality Director
Directeur Qualité Groupe
Dyrektor ds. Jakości Grupy
Director Calitate Grup
Director de Calidad del Grupo
Diretor de Qualidade do Grupo

[12/08/2025]

Manufacturer:

UK Manufacturer:

Kingfisher International Products Limited,
1 Paddington Square, London, W2 1GG,
United Kingdom

EU Manufacturer:

Kingfisher International Products B.V.,
Rapenburgerstraat 175E,
1011 VM Amsterdam,
The Netherlands

EN www.diy.com
www.screwfix.com
www.screwfix.ie

**To view instruction manuals online,
visit www.kingfisher.com/products**